

# NTD

NATIONAL TRACKED DUMPER HIRE LTD

## 7 TONNE RIGID

## SPECIFICATION

All dimensions below were correct at time of print, E&OE.



### MODEL: MST-1500VD

6 CYLINDER, DISPLACEMENT: 6.7 LITRES

225PS / 168KW @ 2200RPM / EU Stage 4

FUEL TANK CAPACITY: 156 LITRES (AD BLUE: 20 LITRES)

MACHINE WEIGHT: 10900KG

PAYLOAD: 7000KG

MAX TRAVEL SPEED: 11KPH

GROUND PRESSURE (UNLOADED): 3 PSI

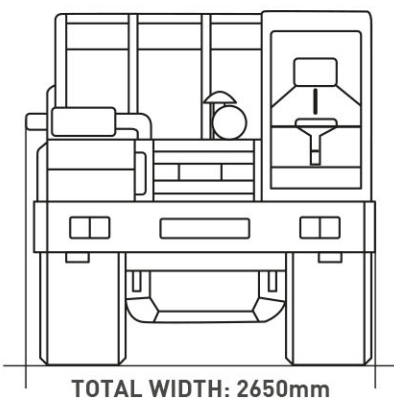
GROUND PRESSURE (LOADED): 3.9 PSI

TRACK WIDTH: 700MM

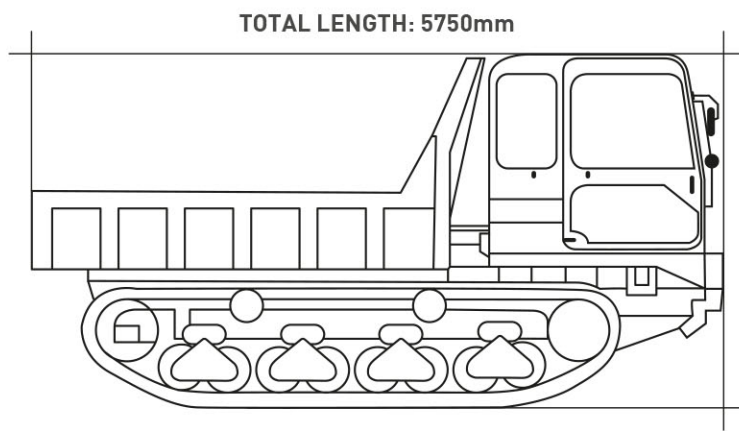
DUMP BODY CAPACITY (STRUCK): 2.34M<sup>3</sup>

DUMP BODY CAPACITY (HEAPED): 3.9M<sup>3</sup>

This tracked dumper offers the perfect combination of payload and performance. These rigid rear tip tracked dumpers are ideal for working in construction, environmentally sensitive, agricultural and recreational sites. They have great traction in adverse ground and can travel on steep inclines where a wheeled dumper struggles. Offering low ground pressure rubber tracks, ensuring reduced soil compaction.



TOTAL WIDTH: 2650mm



TOTAL LENGTH: 5750mm

TOTAL HEIGHT: 2910mm

### FEATURE ICONS



HUMAN FORM RECOGNITION SYSTEM



ROPS OPERATORS CAB



BIODEGRADABLE HYDRAULIC OIL



HYDRAULIC ISOLATION SYSTEM



SEATBELT BEACON SYSTEM



REVERSING CAMERA



360° CAMERA



360° SLEWING

NTD National Tracked Dumper Hire Ltd, Weston Yard, Albury, Surrey GU5 9AF

0844 376 0051

hiredesk@ntdh.co.uk

www.ntdh.co.uk

